

Code: **G72.1**

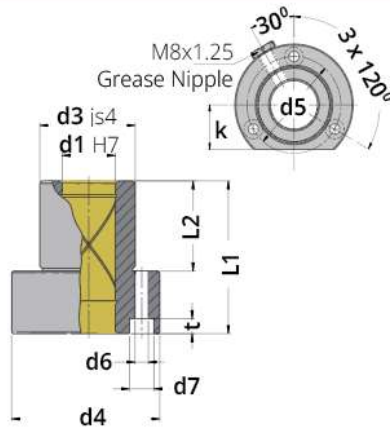
**Guide Bush with Flange, for Ball Cage**

- \* 3 pcs "IMB" coded screws are used to fixed product.
- \* Clamping Screws & "G70" coded Ball Cage Bush should be ordered separately.

Order: **G72.1** d1 x L1 x L2

Material: 1.7131 (16MnCr5)  
Hardness: 58 - 62 HRC

d1	d2	d3	d4	d5	d6	d7	t	k	L	L1	L2	L3
19	25								45	38	23	
20	26	32	50	40	4.5	8	5	18	56	45	30	15
									72	52	37	
24	30								45	38	23	15
25	31	40	63	50	5.5	10	6	23	71	55	30	25
									72	62	37	
30	38								56	45	30	15
32	40	48	72	58	5.5	10	6	28	71	62	37	25
									80	72	47	
38	46								63	55	30	25
40	48	58	85	70	7	11	7	33	80	67	37	30
									95	77	47	
48	56								80	62	37	25
50	58	70	104	86	9	15	9	38	95	89	47	42
									120	102	60	
60	68								95	89	47	42
63	71	85	120	100	9	15	9	46	120	102	60	42
80	92	105	148	125	12	18	12	56	140	125	75	50



Code: **G72.2**

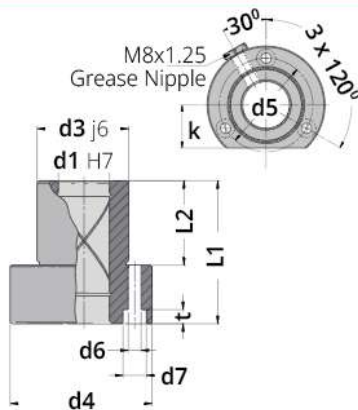
**Guide Bush with Flange, Bronze Plated**

- \* 3 pcs "IMB" coded screws are used to fixed product.
- \* Clamping Screws should be ordered separately.

Order: **G72.2** d1 x L1 x L2

Material: 1.1213 (CF53)  
Bronze Casting

d1	d3	d4	d5	d6	d7	t	k	L1	L2
19								38	23
20	32	50	40	4.5	8	5	18	45	30
								52	37
24								38	23
25	40	63	50	5.5	10	6	23	55	30
								62	37
30								45	30
32	48	72	58	5.5	10	6	28	62	37
								72	47
38								55	30
40	58	85	70	6.6	11	7	33	67	37
								77	47
48								62	37
50	70	104	86	9	15	9	38	89	47
								102	60
60								89	47
63	85	120	100	9	15	9	46	102	60
80	105	146	125	11	18	12	56	125	75



Code: **G72.3**

**Guide Bush with Flange, Steel**

- \* 3 pcs "IMB" coded screws are used to fixed product.
- \* Clamping Screws should be ordered separately.

Order: **G72.3** d1 x L1 x L2

Material: 1.7131 (16MnCr5)  
Hardness: 58 - 62 HRC

d1	d3	d4	d5	d6	d7	t	k	L1	L2
19								38	23
20	32	50	40	4.5	8	5	18	45	30
								52	37
24								38	23
25	40	63	50	5.5	10	6	23	55	30
								62	37
30								45	30
32	48	72	58	5.5	10	6	28	62	37
								72	47
38								55	30
40	58	85	70	6.6	11	7	33	67	37
								77	47
48								62	37
50	70	104	86	9	15	9	38	89	47
								102	60
60								89	47
63	85	120	100	9	15	9	46	102	60
80	105	146	125	11	18	12	56	125	75